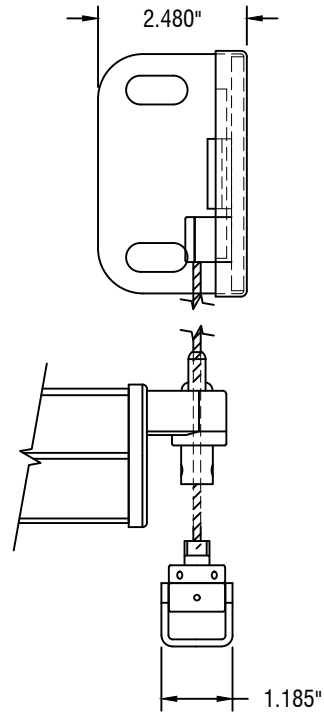
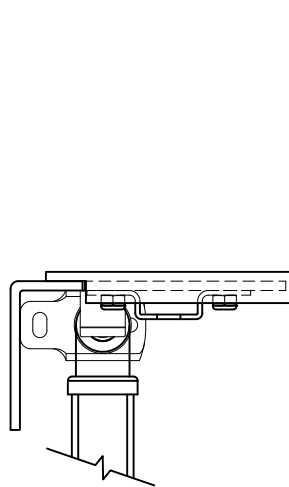


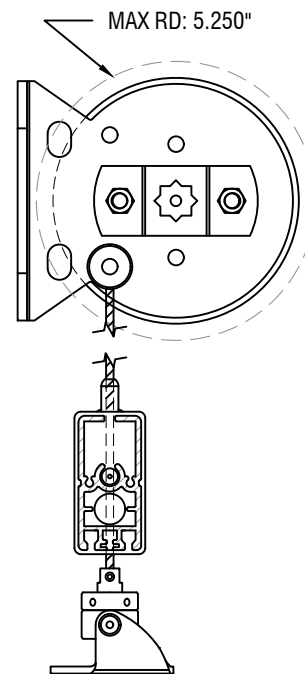
**IDLER PROFILE**



**FRONT PROFILE**



**TOP PROFILE**



**MOTOR PROFILE**



7240 WOODBINE AVE. SUITE 215  
 MARKHAM, ON. L3R 1A4  
 (T) 1-888-245-5077  
 (P) 1-416-639-1365  
 (F) 1-416-639-1366  
 WWW.ROLLASHADE.CA

© COPYRIGHT 2016 ROLL-A-SHADE, INC. ALL RIGHTS RESERVED. THIS DRAWING IS THE PROPERTY OF ROLL-A-SHADE, INC. THE GRAPHICS, INFORMATION AND SPECIFIC IDEAS IN THIS DOCUMENT ARE THE EXCLUSIVE PROPERTY OF ROLL-A-SHADE, INC. AND MUST NOT BE MADE PUBLIC, COPIED OR SOLD. OTHERS SEEKING PERMISSION TO REPRODUCE THIS DOCUMENT, IN WHOLE OR IN PART, MUST OBTAIN PERMISSION FROM ROLL-A-SHADE, INC. IN WRITING.

|             |                  |
|-------------|------------------|
| DATE:       | 04/30/2020       |
| SHEET SIZE: | 8.5" X 11"       |
| SCALE:      | 5/16" = 1"       |
| DRAWN BY:   | SULPISIO MEDRANO |

|        |                       |
|--------|-----------------------|
| TITLE: | EXTERIOR CABLE GUIDED |
| NO.:   | RAS-ECG               |